

AEROCOMPACT®

a Product of SST Solar USA

... the unbeatable aerodynamic flat-roof solution



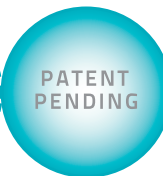
AEROCOMPACT +

Our **AEROCOMPACT +** (east-west oriented), is the aerodynamic solution for mounting framed modules on flat roofs. This system offers best value for your money and has excellent installation features.

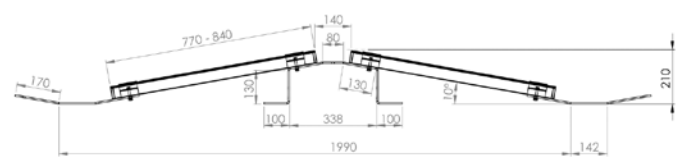
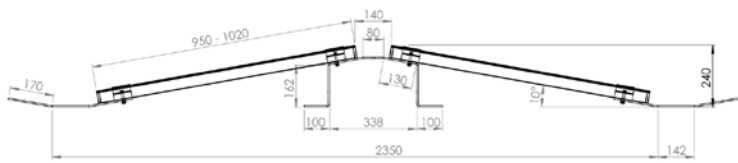
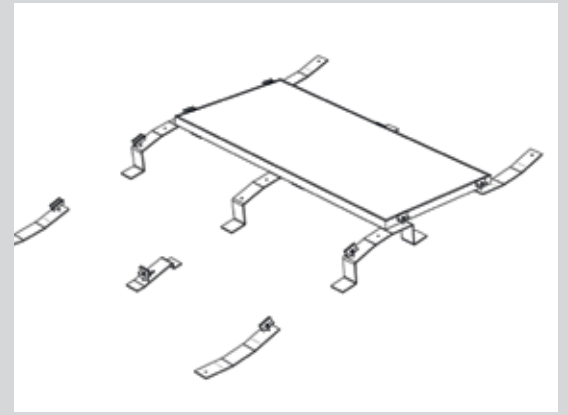
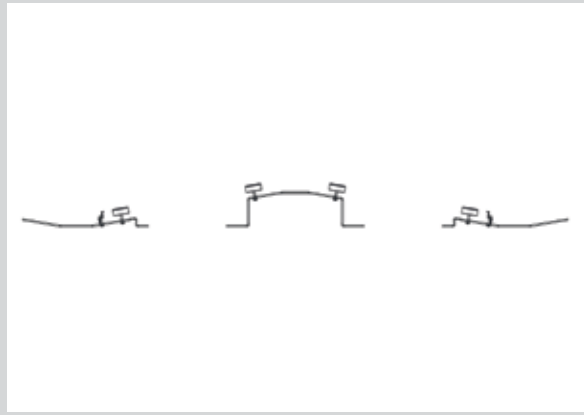
With **AEROCOMPACT +** an assembly time of 5 minutes per kWp can be reached.

The system is wind-tunnel tested, conforms to UL 2703 and is delivered fully pre-assembled with protective matting with a barrier to prevent diffusion of the plastic softener. You will also receive a free analysis tool for the design of the flat roof for accurate Ballasting.

AEROCOMPACT is the fastest and least expensive mounting system that is available on the current market. Designed and assembled by SST Solar USA Inc.



TECHNICAL DETAILS AEROCOMPACT +



YOUR BIG ADVANTAGE

- + Best price value available
- + Less Material = Less Shipping Costs
- + Suitable for framed modules of most of the manufacturers
- + The fastest installation in the industry (1 kWp/5 min., 2 Men)
- + Completely pre-assembled
- + Without roof penetration
- + Optimized Wind Suction, therefore less ballasting than other systems
- + Suitable for Roof Edge Zones
- + Statically optimized System
- + Complimentary Software for module layouts
- + Wind Tunnel tested for up to 120 mph
- + Patented

Technical Details

- > Elevation Angle: 10 % (different angles upon request)
- > Orientation: East-West
- > Additional load of 3,1 lbs per sqf incl. module
- > Incl. Building integrated protection pads (also optimal for water drainage)
- > No minimum construction site size.
- > Edge Distances: Installation Areas of F and G can be used (please use software tool)
- > ETL certified, conforms to UL 2703
- > Dimensions for framed modules are (770 – 840) mm x (1570 – 1615) mm (950 – 1020) mm x (1630 – 1675) mm
- > With 44 lps per sf, Snowload downforce on Roof equals 0,12N/mm²
- > Maxium permitted roof slope 4°
- > Up to wind load zone 4
- > Snowload for AeroCompact+ Alpine is 5,4 KN/m², for AeroCompact+ Standard 2,4 KN/m²
- > Proof of static load capacity of the roof is to be provided by Customer

